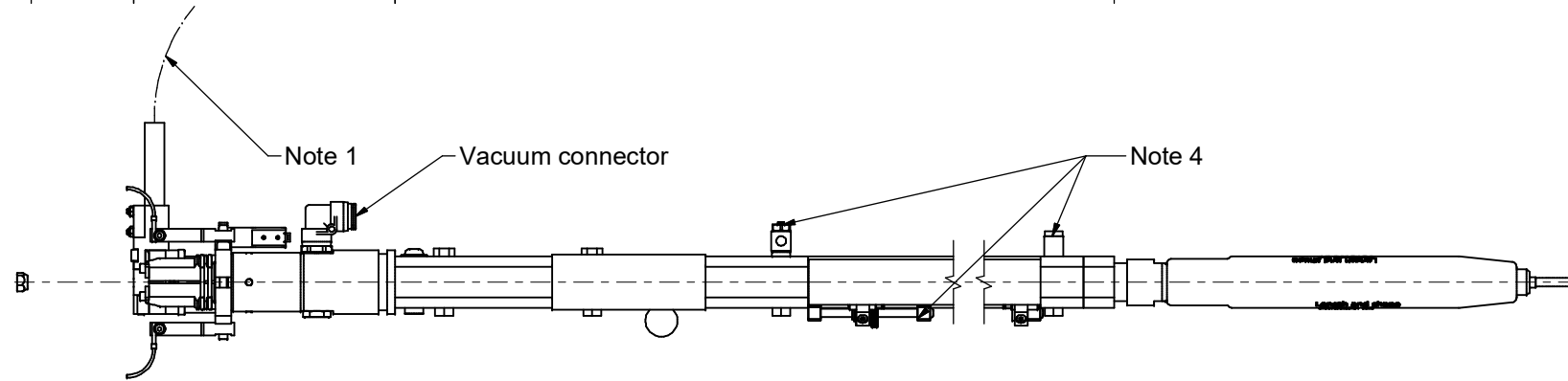
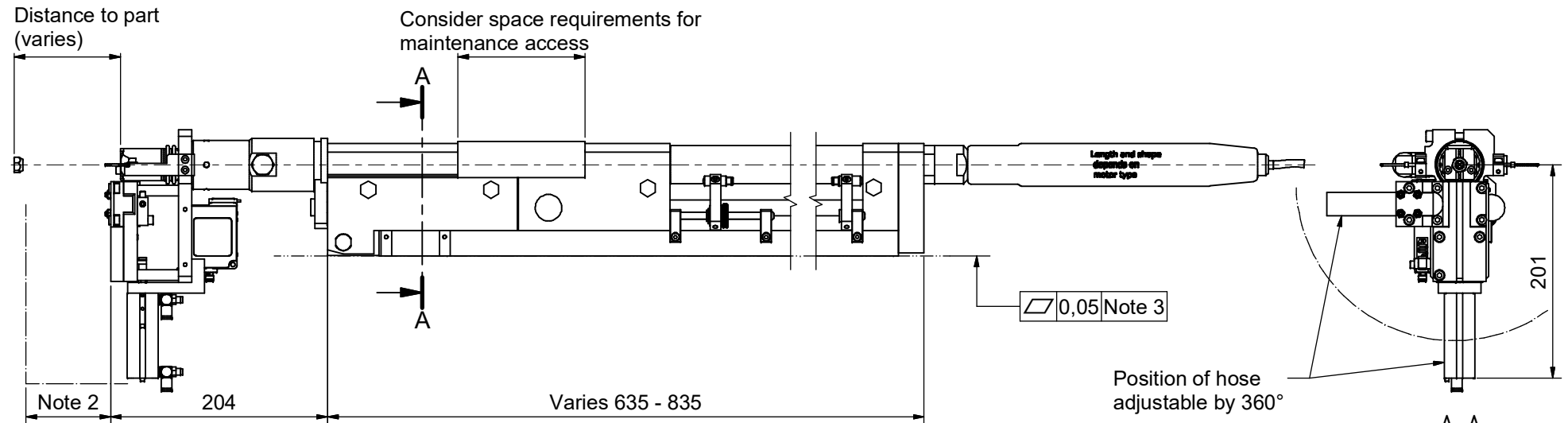


SEMV 32

creation date: 02.09.2020
581290



- Note 1: Minimum radius of feed hose 600mm
- Note 2: Consider 150mm space requirements for bit change
- Note 3: Mounting surface must be even. Use all mounting holes M10 and use the full length of the mounting surface.
- Note 4: Sensors and air connectors can be mounted either on one or the other side of the unit.

STÖGER AUTOMATION points out that the model shown is only exemplary and may vary in shape and dimensions depending on the application.
Weight: approx. 17 kg

